

# Installing the PrimaLuna Phono Board

Installing the ProLogue Phono Board is a snap. If you are comfortable with a soldering iron, it should only take about 20-30 minutes to finish.

**CAUTION:** You are working with high voltages and sensitive electronics! Please use the utmost safety and care during installation.

*If you do not feel comfortable doing the installation yourself, please call your dealer before proceeding.*

## What you need:

Soldering Iron

Phillips screwdriver

Small needle-nose pliers

Black marker

60/40 rosin core solder

6mm allen wrench

Wire cutters

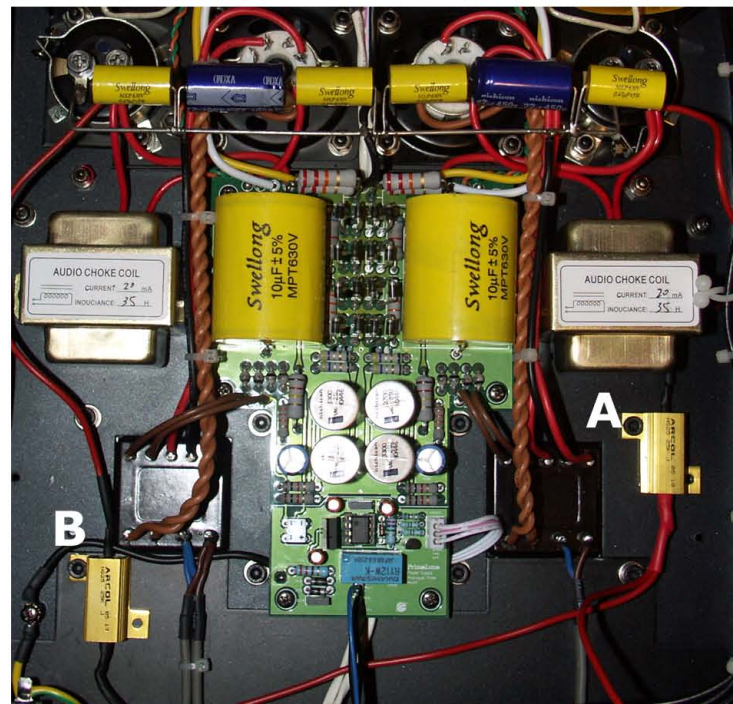
**Step 1.** Turn your PrimaLuna off and disconnect it from your system. It is vital that you wait at least 5-10 minutes before proceeding to step two. This is a safety precaution that makes sure all the power supply capacitors are drained of any electrical charge. If they are not, you may give yourself a little shock which may cause damage to your gear. Remove all of the tubes, and put the cage on the amp. This keeps the amp from tilting forward.

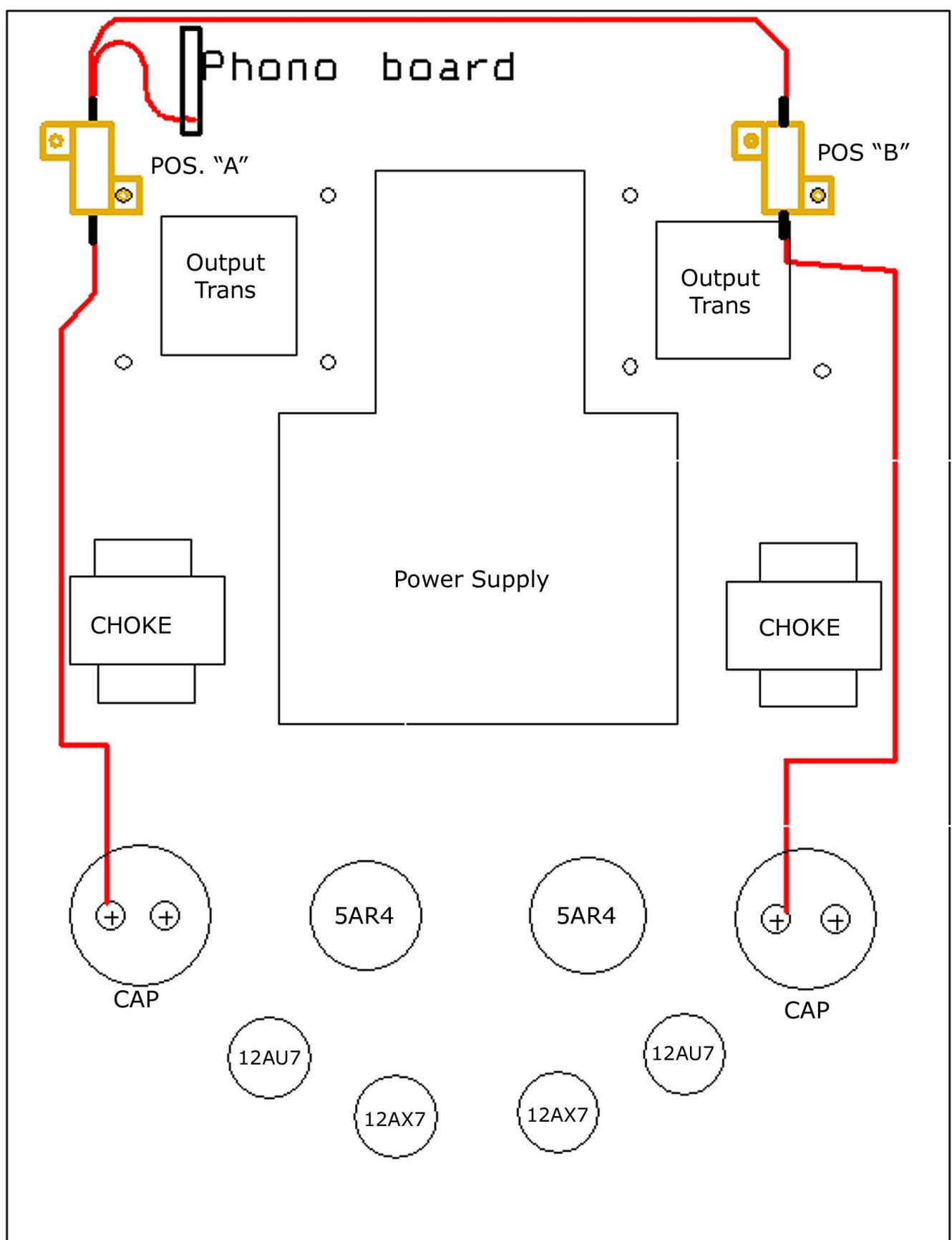
**Step 2.** Flip the amplifier over and unscrew the bottom cover. To prevent scratches, set the amp on a soft towel or blanket.

### Step 3. Installing the 25k ohm resistors

Locate the small screws marked "A" and "B" in the picture below. Using an allen wrench, remove the screws and set them aside. *You will not be re-using the washers.* With the rear of the preamp facing you, place the resistor with the third wire in the position marked "A" on the picture below. Place the other resistor in the position marked "B" on the picture below. Be sure and secure tightly to ensure proper heat dissipation. Next you will solder the red wires from each resistor to the power capacitors. Turn to the next page and refer to the wiring diagram which illustrates each lead the wires are soldered to.

**Take care to make sure all of the parts already soldered to these capacitors do not come loose!**

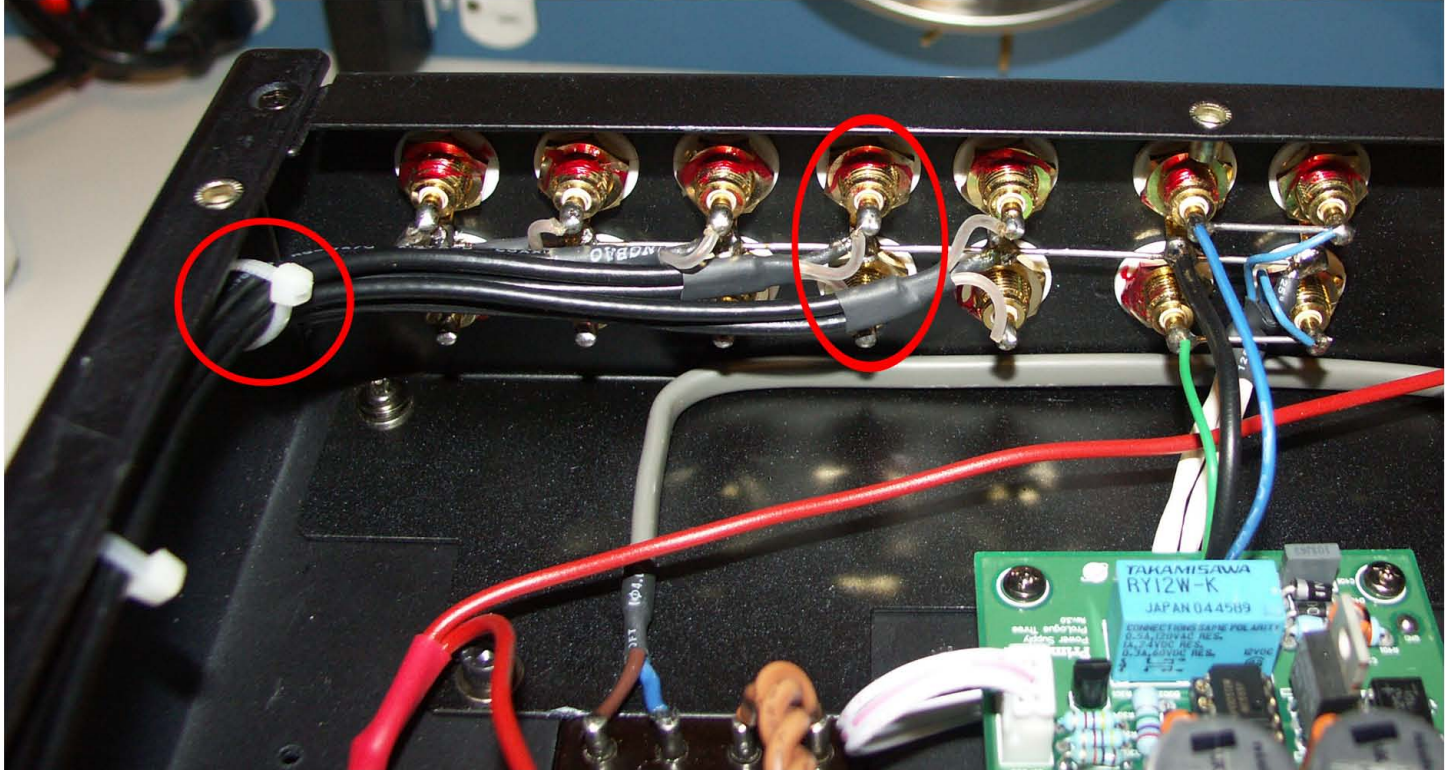




The diagram above illustrates how each wire should be soldered into your Prologue Three. Take special care to make sure all wires and leads already soldered to the power capacitors remain soldered when you attach the red wires.

#### Step 4. Preparing to install the PhonoBoard:

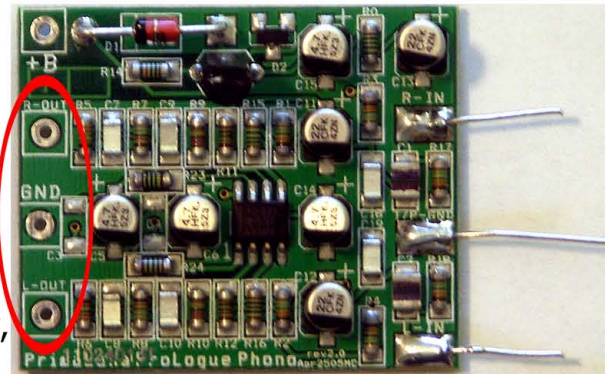
Pictured below is the back panel of the Prologue Three, showing all 4 inputs, tape monitor, and output jacks. Locate the pair of RCA jacks circled below. This is the AUX 2 input, and is the position where you will install the PhonoBoard. Mark the wire with the clear jacket running to the top (right channel) RCA jack with a marker so you know which wire is for left and which is for right. Before you begin disconnecting wires, cut the small cable tie circled below and move the other bundle of cables out of the way to prevent damaging them.



#### Step 5. Installing the PhonoBoard:

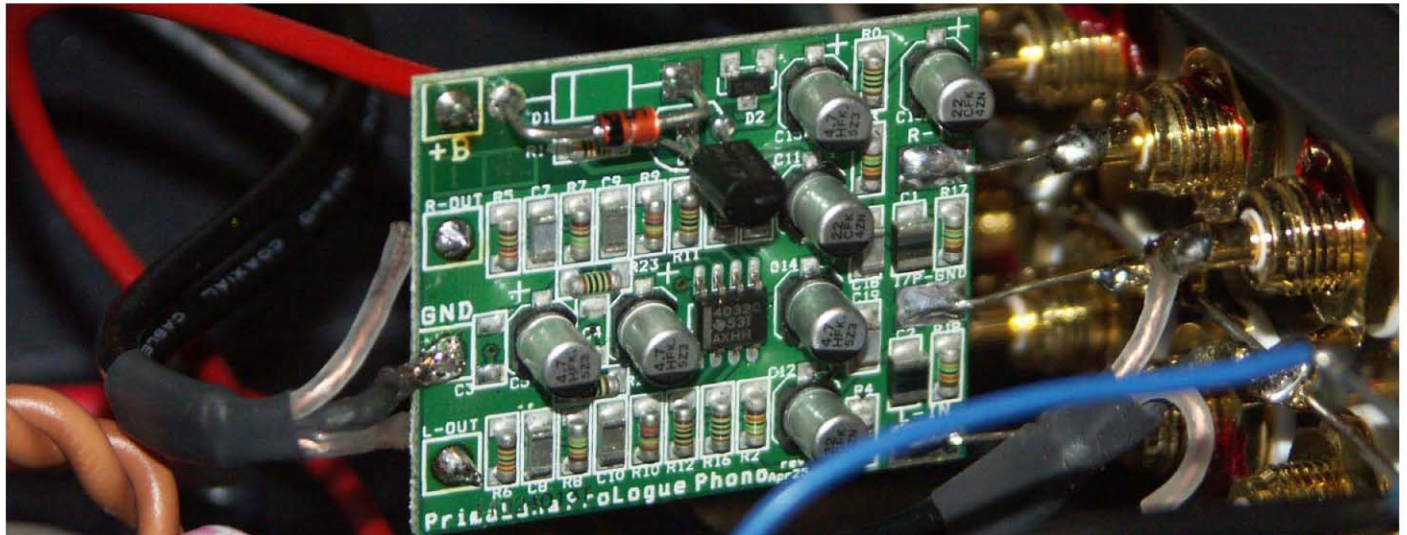
Your Phonoboard comes with three solid-core wires soldered on one end. Refer to the picture on the left.

Take the three wires you de-soldered from the RCA jacks and solder them to the spots on the left-side of the PhonoBoard, shown circled on the picture to the right. Solder the wire you marked with the black marker to the hole labelled "R-OUT." Next, solder the wire in the black sleeve to the middle hole marked "GND." Last, solder the final wire into the hole marked "L-OUT." The wire in the black sleeve is tricky, as it is too big to fit in the hole on the PhonoBoard, so be careful not to use too much solder. Just make sure it is enough to hold the wires securely to the board.



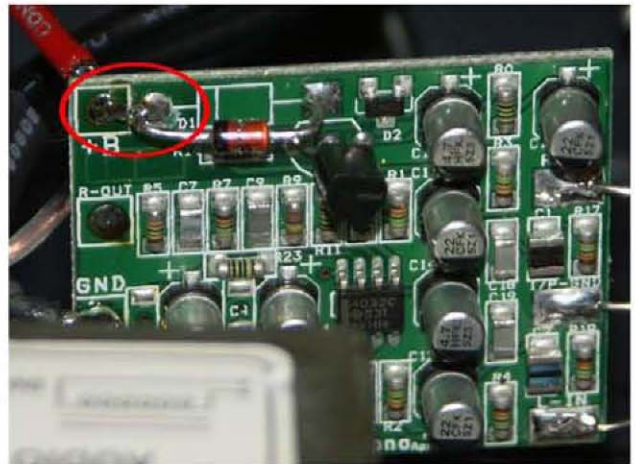
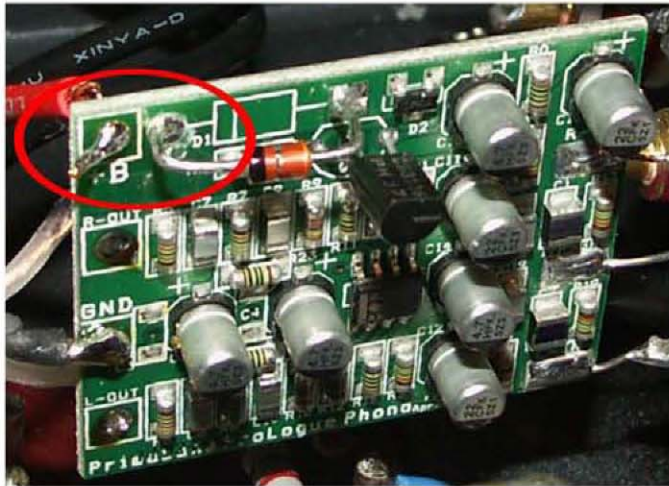
### Step 5 Continued:

This next part is a little tricky since it is such a tight spot, so small needle-nose pliers will be handy for this part. Starting at the bottom and working your way up is the easiest. Begin by soldering the wire that leads to the spot on the PhonoBoard marked "L-IN" to the bottom RCA jack. Next solder the middle wire marked "GND" to the ground bridge. Then solder the wire marked "R-IN" to the top RCA jack. When you are finished, it will look like the picture shown below.



### Step 6. Routing power to the PhonoBoard:

The final step is running the second red wire from the gold resistor to the PhonoBoard. Run the wire to the hole on the top of the PhonoBoard marked "+B" and solder it into place. Try to keep it away from the black signal wires.



The final step is shown above. Make a small solder bridge between the two points circled on the circuit board above. This completes the circuit for the power supply.

Now to tidy up, take a small zip tie and tie the two wires running into the PhonoBoard back with all the other wires running along the side of the PrimaLuna.

When hooking your turntable's cable to the PrimaLuna, attach your turntable's ground wire to the negative (black) speaker terminal for grounding. The PhonoBoard is designed for use with moving magnet (MM), as well as high output moving coil (MC) cartridges with an output of 2.0mV or higher.